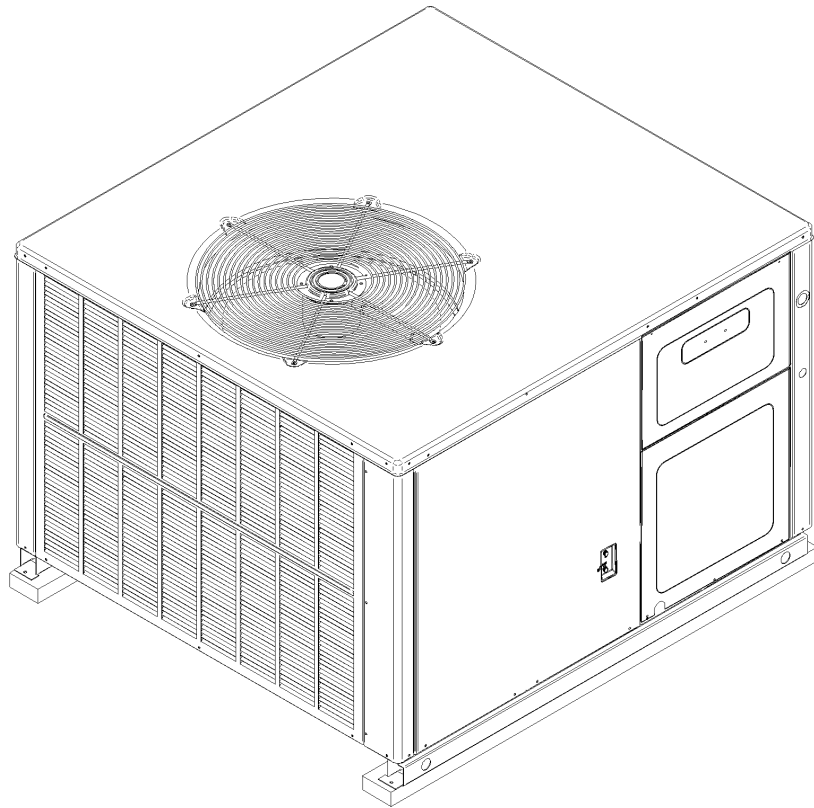


# REPAIR PARTS

## GPC15 Package Coolers

GPC1524M41AA  
GPC1530M41AA  
GPC1536M41AA  
GPC1542M41AA  
GPC1548M41AA



This manual is to be used by qualified technicians only.

© 2009 Goodman Manufacturing Company, L.P. ♦ 5151 San Felipe, Suite 500 ♦ Houston, TX 77056

# Important Information

---

## Index

Functional Parts List .....	3
Illustration and Parts .....	4 - 11

*Views shown are for parts illustrations only, not servicing procedures.*

This system uses R410A refrigerant. If sealed system work is required, use approved equipment and follow service procedures. Refer to Service Manual or Installation Instructions for service procedures.

Changed flowrator B2114670 to B2114668.

### Text Codes:

AR - As Required

NA - Not Available

NS - Not Shown

00000000 - See Note

QTY - Quantity Example (QTY 3) (If Quantity not shown, Quantity = 1)

M - Model Example (M1) (If M Code not shown, then part is used on all Models)

### Expanded Model Nomenclature:

Example M1 - Model#1 M2 - Model#2 M3 - Model#3
---

Goodman Manufacturing Company, L.P. is not responsible for personal injury or property damage resulting from improper service. Review all service information before beginning repairs.

Warranty service must be performed by an authorized technician, using authorized factory parts. If service is required after the warranty expires, Goodman Manufacturing Company, L.P. also recommends contacting an authorized technician and using authorized factory parts.

Goodman Manufacturing Company, L.P. reserves the right to discontinue, or change at any time, specifications or designs without notice or without incurring obligations.

For assistance within the U.S.A. contact:  
Consumer Affairs Department  
Goodman Manufacturing Company, L.P.  
7401 Security Way  
Houston, Texas 77040  
877-254-4729-Telephone  
713-863-2382-Facsimile

For assistance outside the U.S.A. contact:  
International Division  
Goodman Manufacturing Company, L.P.  
7401 Security Way  
Houston, Texas 77040  
713-861-2500-Telephone  
713-863-2382-Facsimile

# Functional Parts

## Part

## No: Description:

---

0131M00159	BLOWER MOTOR 1/2 HP PROGRAMMED X13 (M3)
0131M00165	BLOWER MOTOR 1/2 HP PROGRAMMED X13 (M2)
0131M00172	BLOWER MOTOR 1/2 HP PROGRAMMED X-13 (M1)
0131M00152	BLOWER MOTOR 3/4 HP PROGRAMMED (M5)
0131M00174	BLOWER MOTOR 3/4 HP PROGRAMMED X-13 (M4)
CAP050400370RSS	CAPACITOR 5/40/370V [CONTROL BOX] (M1, M2)
CAP050450370RSS	CAPACITOR 5/45/370V [CONTROL BOX] (M3, M4, M5)
ZP21K5EPFV830	COMPRESSOR 21300, 208/230/60/1 (M1)
ZP26K3EPFV930	COMPRESSOR 25200, 208/230/60/1 (M2)
ZP31K5EPFV830	COMPRESSOR 31100, 208/230/60/1 (M3)
ZP34K5EPFV830	COMPRESSOR 34500, 208/230/60/1 (M4)
ZP39K5EPFV830	COMPRESSOR 39000, 208/230/60/1 (M5)
0131M00007PS	COND MOTOR 1/4 HP, 1 SP, 6 PL (M4, M5)
0131M00014PS	COND MOTOR 1/4 HP, 1 SP, 8 PL (M2, M3)
0131M00009PS	COND MOTOR 1/6 HP, 1 SP, 8 PL (M1)
CONT2P025024VS	CONTACTOR 25 AMP, 2P, 24V (M1, M2, M3)
CONT2P030024VS	CONTACTOR 30 AMP, 2P, 24V (M4)
CONT2P040024VS	CONTACTOR 40 AMP, 2P, 24V (M5)
20322602	CUT-OUT SWITCH, HIGH PRESSURE
B1141643	TRANSFORMER 208/230, 24V

### SPECIAL PARTS

B10259251	GOODMAN LABEL
IO-334D	INSTALLATION INSTRUCTIONS
RP-531	REPAIR PARTS MANUAL
IO-673C	SUPPLEMENT TO HEATER KIT INSTRUCTIONS
B1757910	SUPPLEMENTAL INSERT (EBTDR)

### Expanded Model Nomenclature

M1 - GPC1524M41AA
M2 - GPC1530M41AA
M3 - GPC1536M41AA
M4 - GPC1542M41AA
M5 - GPC1548M41AA

# Cabinet Assembly

Image 1

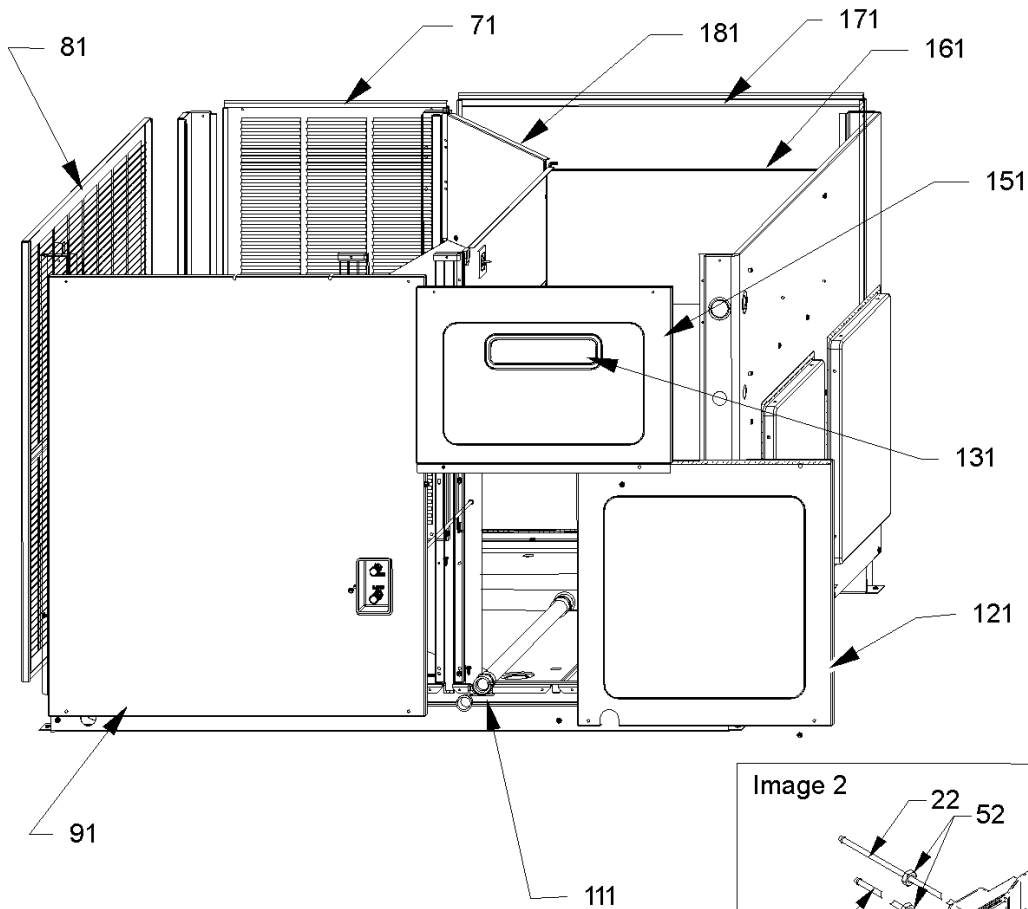
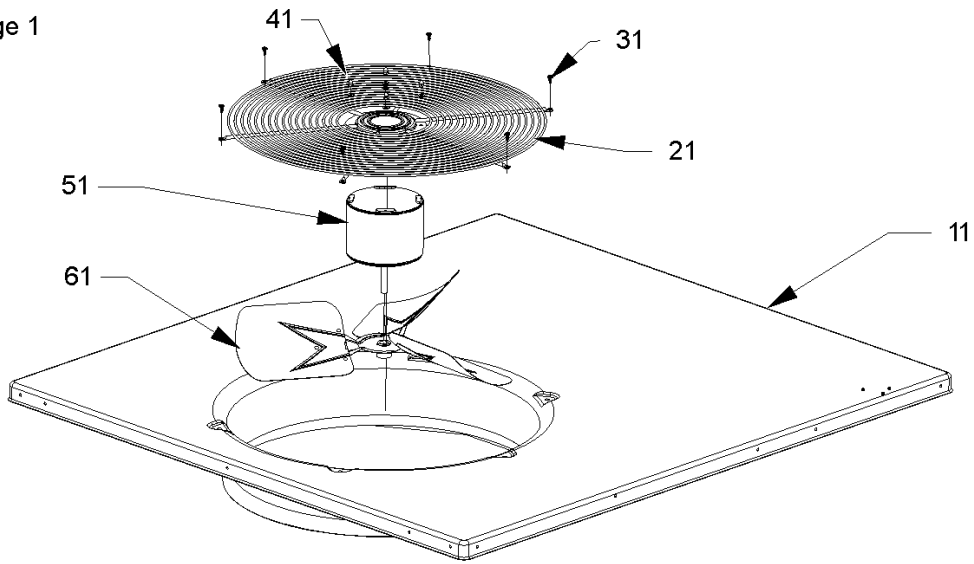
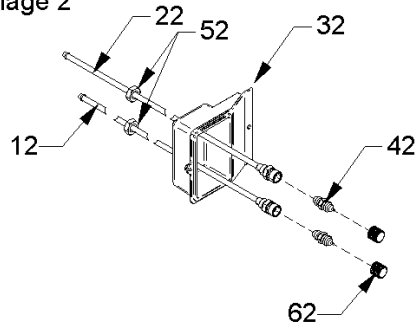


Image 2



# Cabinet Assembly

**Ref. Part  
No: No:**

**Description:**

**Ref. Part  
No: No:**

**Description:**

*Image 1:*

11	20466001PDGS	TOP PANEL
21	0152G00000S	RAISED FAN GRILLE
31	M0221817	SMALL SCREW (QTY 6)
41	0163M00006P	ACORN NUT 5/16 HEX BLACK (QTY 4)
51	0131M00007PS	COND MOTOR 1/4 HP, 1 SP, 6 PL (M4, M5)
51	0131M00014PS	COND MOTOR 1/4 HP, 1 SP, 8 PL (M2, M3)
51	0131M00009PS	COND MOTOR 1/6 HP, 1 SP, 8 PL (M1)
61	0150M00008S	FAN BLADE 22" TNT2203-25 (M1)
61	0150G00002S	FAN BLADE SWEPT-WING (M2, M3, M4, M5)
71	20467701PDGS	LOUVERED PANEL, COND SIDE 32" (M1, M2, M3)
71	20467702PDGS	LOUVERED PANEL, COND SIDE 40" (M4, M5)
81	20464401PDGS	LOUVERED PANEL, COND SIDE 32" (M1, M2, M3)
81	20464402PDGS	LOUVERED PANEL, COND SIDE 40" (M4, M5)
91	0121G00223DG	SOLID PANEL COMPRESSOR 32.5" (M1, M2, M3)
91	0121G00224DG	SOLID PANEL COMPRESSOR 40" (M4, M5)
111	0261G00000	DRAIN PIPE
121	0260G00023PS	INSULATED ASSY, BLOWER PANEL 32.5" (M1, M2, M3)
121	0260G00024PS	INSULATED ASSY, BLOWER PANEL 40" (M4, M5)
131	B10259251	GOODMAN LABEL
151	0121G00213DGS	CONTROL BOX PANEL
161	0260G00027S	INSULATED ASSY, EVAP BLOCK-OFF 32" (M1, M2, M3)
161	0260G00028S	INSULATED ASSY, EVAP BLOCK-OFF 40" (M4, M5)
171	0260G00025PS	INSULATED ASSY, BLOWER PANEL 32.5" (M1, M2, M3)
171	0260G00026PS	INSULATED ASSY, BLOWER PANEL 40" (M4, M5)
181	0260G00022PS	INSULATED ASSY, FAN SHROUD
NS	0121G00235	FAN BAFFLE
NS	0210G00008P	PROCESS TUBING ASSY (M1, M2, M3)
NS	0210G00064	PROCESS TUBING ASSY (M4, M5)
NS	17788000083F	PVC CONDUIT 8.25"

*Image 2:*

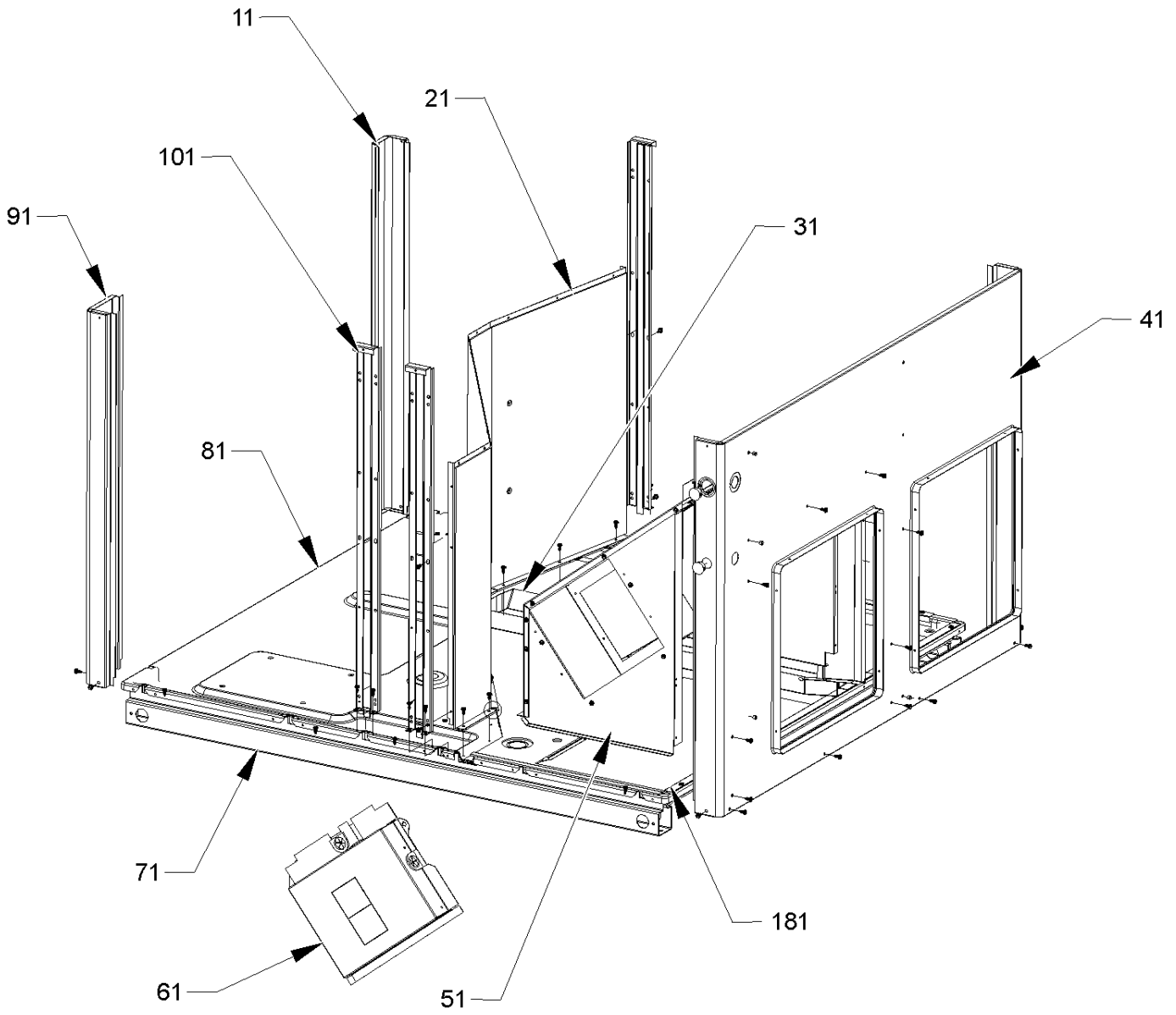
12	0210G00030P	PROCESS TUBE ASSY-LIQUID (M1, M2, M3)
12	0210G00031P	PROCESS TUBE ASSY-SUCTION (M4, M5)
22	0210G00031P	PROCESS TUBE ASSY-LIQUID
32	0161G00001P	ACCESS FITTING BOX
42	B1373315	ACCESS FITTING (QTY 2)
52	0163G00000P	FASTEST FITTING NUT (QTY 2)
62	B9102097	CAP W/O-RING (QTY 2)

Expanded Model Nomenclature

M1 - GPC1524M41AA
M2 - GPC1530M41AA
M3 - GPC1536M41AA
M4 - GPC1542M41AA
M5 - GPC1548M41AA

Effective July 2008 (serial codes 0807), single phase units will no longer be factory shipped with horizontal duct covers. For downshot applications, contact your local Goodman distributor.

# Panels and Supports



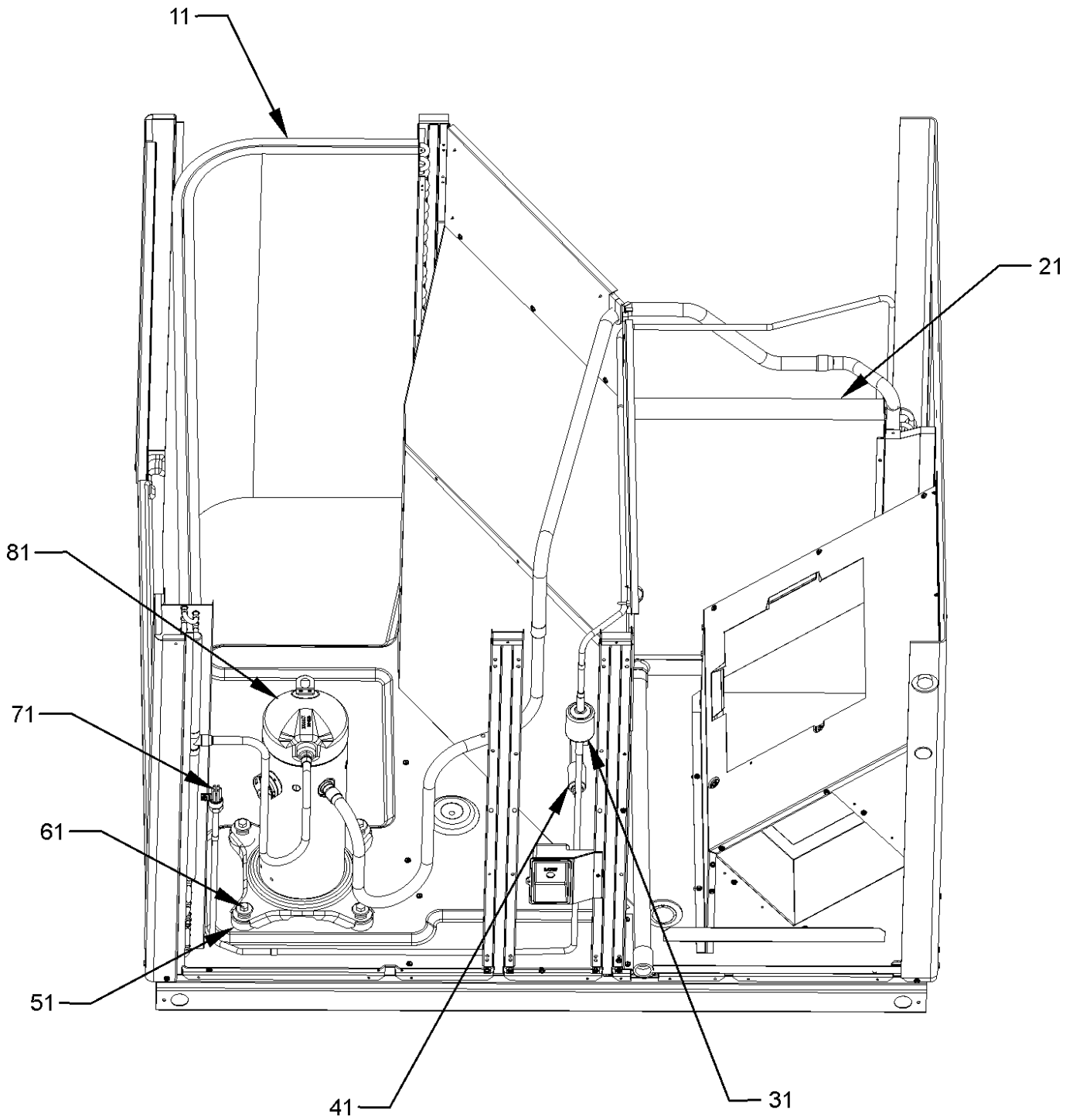
# Panels and Supports

Ref. Part No:	No:	Description:	Ref. Part No:	No:	Description:
<i>Image 1:</i>					
11	20464301PDGS	CORNER POST-HAIRPIN END 32" (M1, M2, M3)			
11	20464302PDGS	CORNER POST-HAIRPIN END 40" (M4, M5)			
21	0260G00020PS	INSULATED ASSY, PARTITION PANEL 32" (M1, M2, M3)			
21	0260G00021PS	INSULATED ASSY, PARTITION PANEL 40" (M4, M5)			
31	0161G00003	PLASTIC DRIP PAN			
41	0260G00018PS	INSULATED ASSY, DUCT 32.5" (M1, M2, M3)			
41	0260G00019PS	INSULATED ASSY, DUCT 40" (M4, M5)			
51	0221G00014	BLOWER TRANSITION ASSY			
61	0121G00221	HEATER KIT COVER (QTY 2)			
71	0121G00290	BASE PAN RAIL (QTY 2)			
81	0121G00289	BASE PAN			
91	20464201PDGS	CORNER POST-COMP END 32" (M1, M2, M3)			
91	20464202PDGS	CORNER POST-COMP END 40" (M4, M5)			
101	0121G00208	SUPPORT POST 32" (M1, M2, M3)			
101	0121G00209	SUPPORT POST 40" (M4, M5)			
181	0121G00148	SINGLE COVER, DOWN DISCHARGE (QTY 2)			

Expanded Model Nomenclature

M1 - GPC1524M41AA
M2 - GPC1530M41AA
M3 - GPC1536M41AA
M4 - GPC1542M41AA
M5 - GPC1548M41AA

# Tubing/Coil Assembly





# Tubing/Coil Assembly

Ref. Part No:	No:	Description:	Ref. Part No:	No:	Description:
<i>Image 1:</i>					
11	0201G00072S	TUBING ASSY, COND COIL (M5)			
11	0201G00166S	TUBING ASSY, COND COIL (M4)			
11	0201G00169S	TUBING ASSY, COND COIL (M2, M3)			
11	0201G00170S	TUBING ASSY, COND COIL (M1)			
21	0202G00311S	TUBING ASSY, EVAP COIL (M3)			
21	0202G00312S	TUBING ASSY, EVAP COIL (M1)			
21	0202G00313S	TUBING ASSY, EVAP COIL (M2)			
21	0202G00317	TUBING ASSY, EVAP COIL (M4)			
21	0202G00318	TUBING ASSY, EVAP COIL (M5)			
31	B1219212	SINGLE-FLOW FILTER DRIER, STEEL (M1, M2, M3)			
31	B1219225	SINGLE-FLOW FILTER DRIER, STEEL (M4, M5)			
41	20322602	CUT-OUT SWITCH, HIGH PRESSURE			
51	B1339533	COMPRESSOR GROMMET (QTY 4)			
61	M0221641	TF SHOULDER SCREW (QTY 4)			
71	B2114657	FLOWRATOR .057 [EVAP] (M1)			
71	B2114665	FLOWRATOR .065 [EVAP] (M2)			
71	B2114668	FLOWRATOR .068 [EVAP] (M3)			
71	B2114872	FLOWRATOR .072 [EVAP] (M4)			
71	0162M00094S	FLOWRATOR .076 [EVAP] (M5)			
81	ZP21K5EPFV830	COMPRESSOR 21300, 208/230/60/1 (M1)			
81	ZP26K3EPFV930	COMPRESSOR 25200, 208/230/60/1 (M2)			
81	ZP31K5EPFV830	COMPRESSOR 31100, 208/230/60/1 (M3)			
81	ZP34K5EPFV830	COMPRESSOR 34500, 208/230/60/1 (M4)			
81	ZP39K5EPFV830	COMPRESSOR 39000, 208/230/60/1 (M5)			
NS	20048211	COMPRESSOR HARNESS			

Expanded Model Nomenclature

- M1 - GPC1524M41AA
- M2 - GPC1530M41AA
- M3 - GPC1536M41AA
- M4 - GPC1542M41AA
- M5 - GPC1548M41AA

# Control Panel/Blower Assembly

Image 1

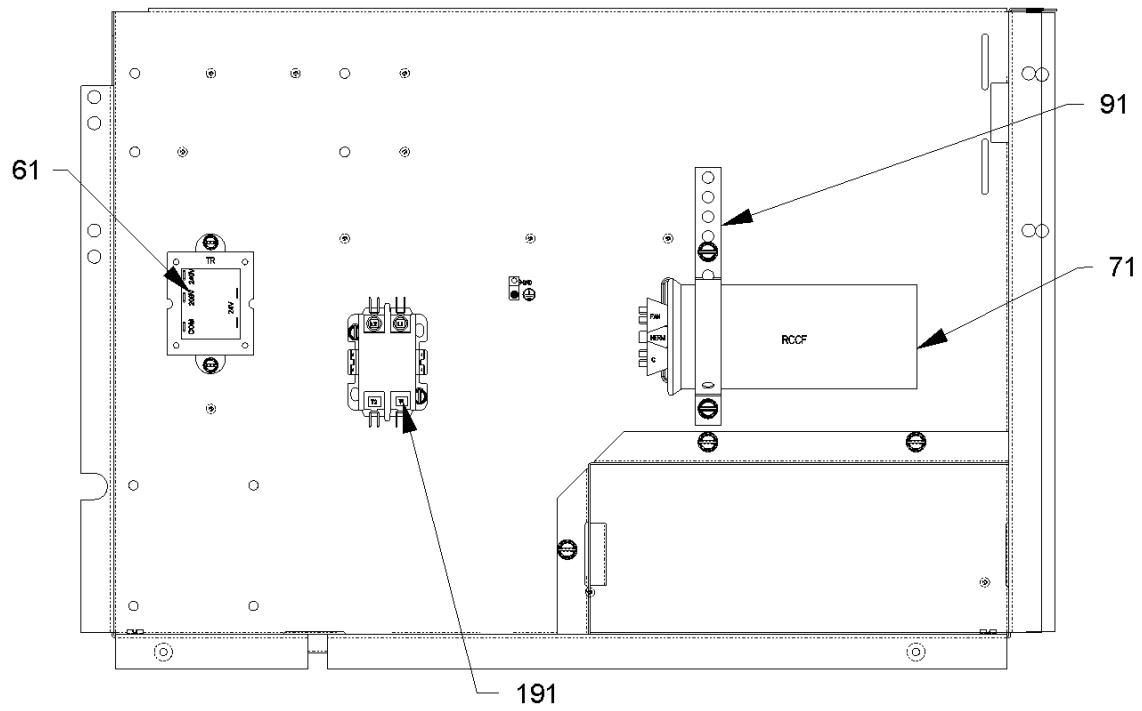
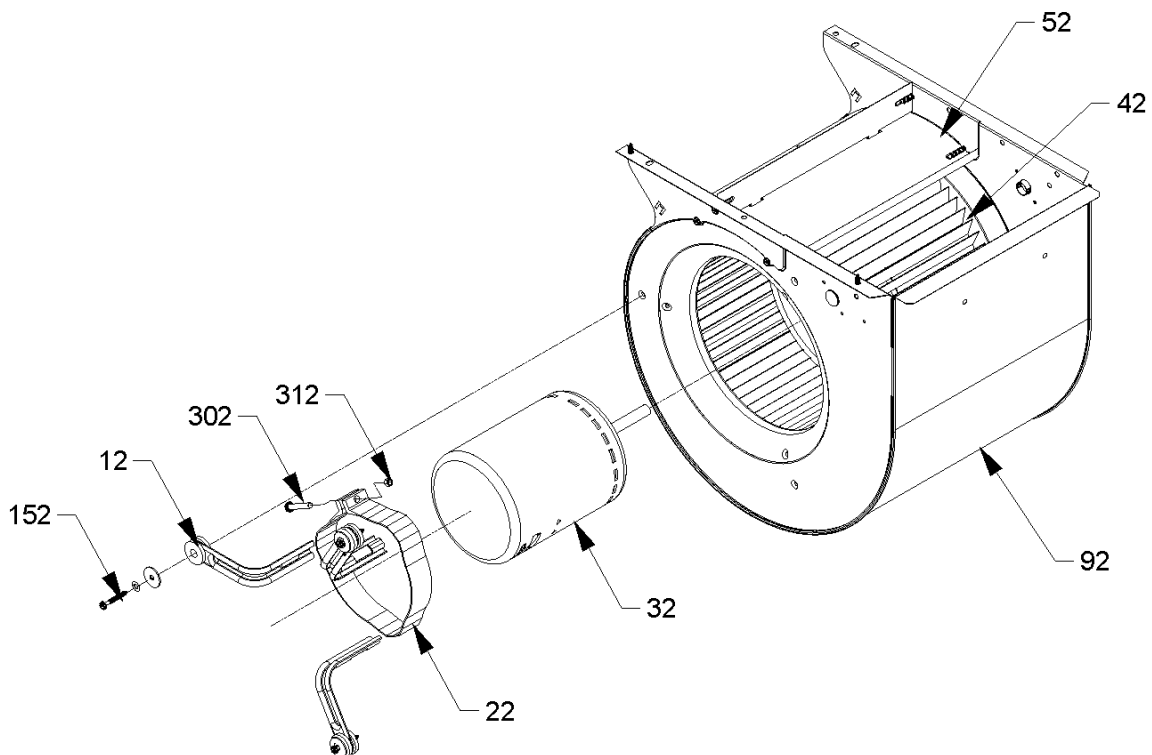


Image 2



# Control Panel/Blower Assembly

Ref. Part No:	Part No:	Description:	Ref. Part No:	Part No:	Description:
---------------	----------	--------------	---------------	----------	--------------

*Image 1:*

61	B1141643	TRANSFORMER 208/230, 24V
71	CAP050400370RSS	CAPACITOR 5/40/370V [CONTROL BOX] (M1, M2)
71	CAP050450370RSS	CAPACITOR 5/45/370V [CONTROL BOX] (M3, M4, M5)
91	20520901	CAPACITOR STRAP
191	CONT2P025024VS	CONTACTOR 25 AMP, 2P, 24V (M1, M2, M3)
191	CONT2P030024VS	CONTACTOR 30 AMP, 2P, 24V (M4)
191	CONT2P040024VS	CONTACTOR 40 AMP, 2P, 24V (M5)
NS	0259G00021	WIRE HARNESS, ELECTRIC HEAT

*Image 2:*

12	B1376857	MOTOR MOUNT ARM (QTY 3)
22	0121M00038	MOTOR MOUNT BAND
32	0131M00159	BLOWER MOTOR 1/2 HP PROGRAMMED X13 (M3)
32	0131M00165	BLOWER MOTOR 1/2 HP PROGRAMMED X13 (M2)
32	0131M00172	BLOWER MOTOR 1/2 HP PROGRAMMED X-13 (M1)
32	0131M00152	BLOWER MOTOR 3/4 HP PROGRAMMED (M5)
32	0131M00174	BLOWER MOTOR 3/4 HP PROGRAMMED X-13 (M4)
42	D6723303S	BLOWER WHEEL
52	764742	BLOWER BLOCK-OFF
92	0271G00024S	BLOWER HOUSING ASSY 10 X 9
152	M0250565	TC SCREW 1.25" (QTY 3)
302	B1393323	MACHINE SCREW HWH 1/4-20 X 1-1/2 BZ
312	B1393800	LOCKNUT, NYLON, INSERT 1/4, 20
NS	0259G00057	BLOWER HARNESS

Expanded Model Nomenclature

M1 - GPC1524M41AA
M2 - GPC1530M41AA
M3 - GPC1536M41AA
M4 - GPC1542M41AA
M5 - GPC1548M41AA

